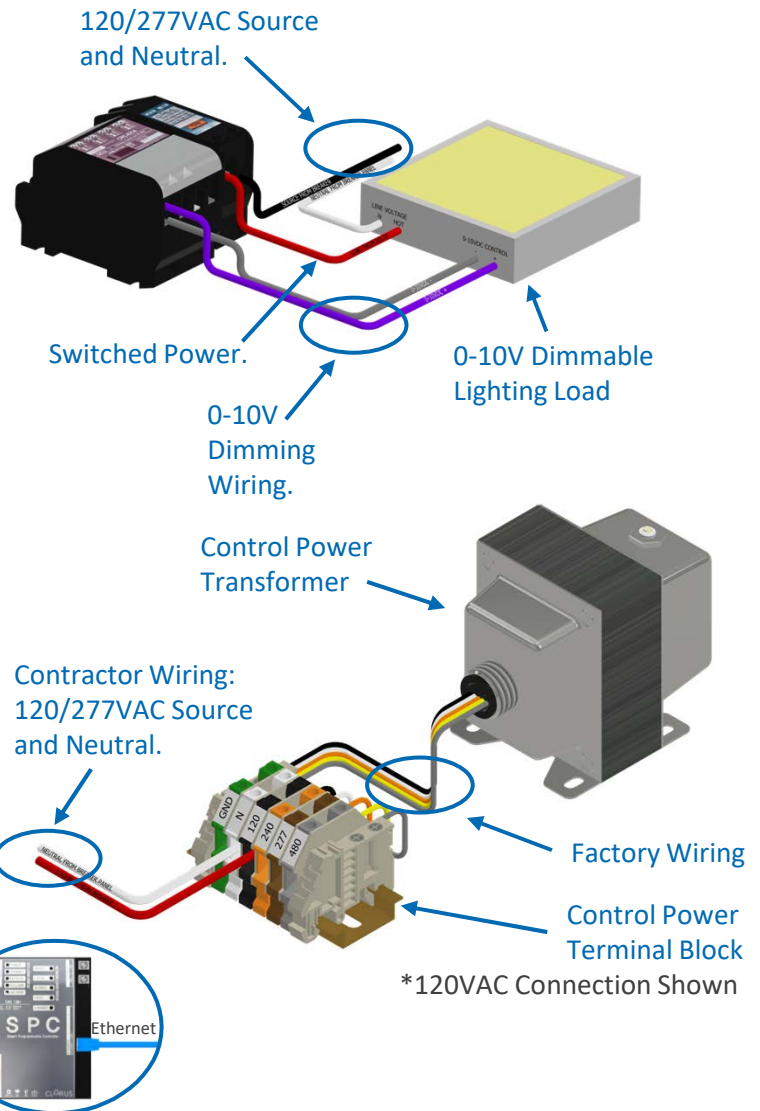
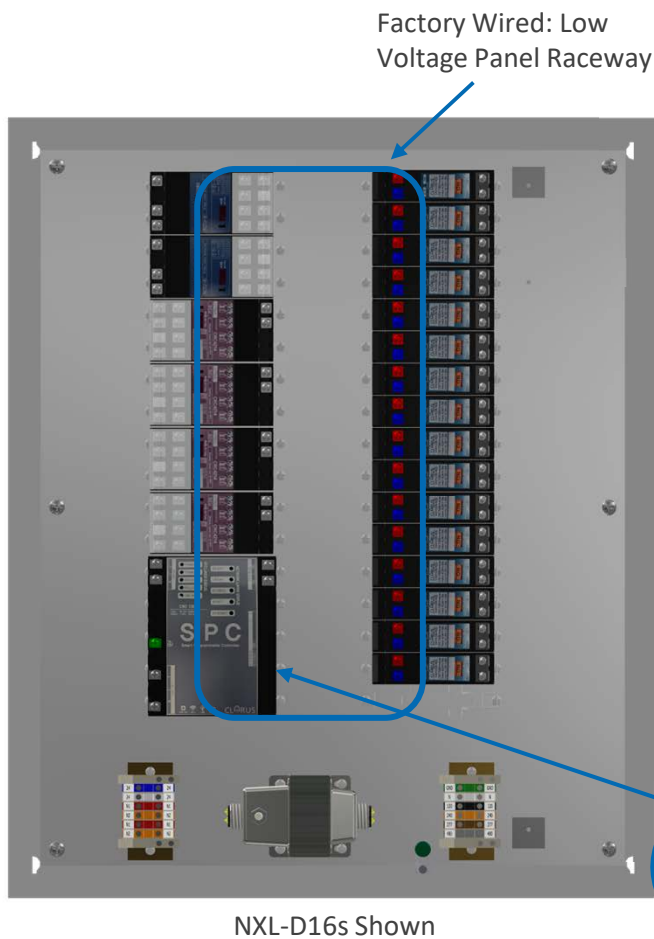


D SERIES

DIMMING CONTROL PANEL



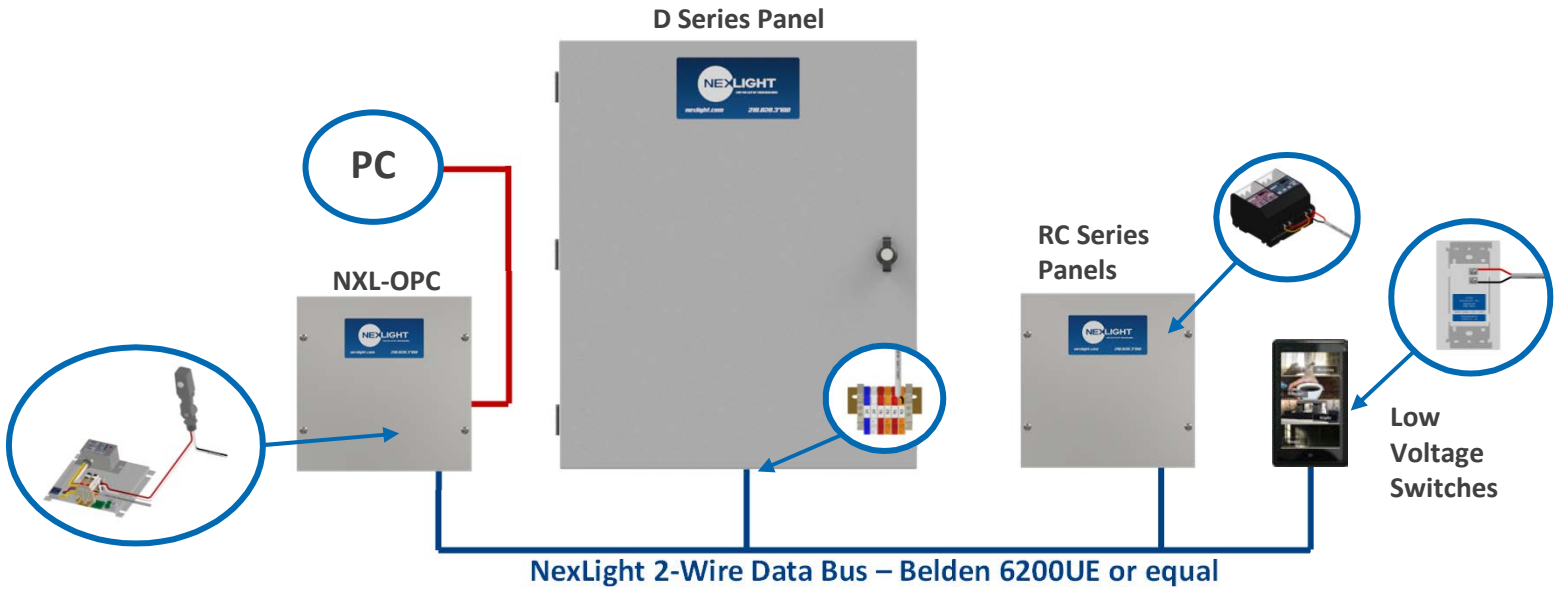
APPLICATION OVERVIEW

The D Series Panels are stand-alone 0-10V dimming panels that serve as the primary point of connection in the 2-Wire NexLight Lighting Control System. Utilizing the CRC1301, the D Series panels provide the same Graphic User Interface as the larger capacity CRC1201. Networking multiple (up to 250) standard panels (R Series and/or D Series) is easily done through a standard Ethernet (CAT5E or greater) Local Area Network. This networking approach allows for a truly segmented network design, while retaining the advantage of leveraging the reliability and simplicity of the NexLight 2-Wire Data Bus.

APPLICATION HIGHLIGHTS

- Networkable via Ethernet.
- Programming, Monitoring and Remote Override available through Graphic User Interface (GUI).
- Utilizes the CRC7000 Mechanically Latching Relay backed by NexLight's 20-Year Relay Warranty.
- 100 mA of Sinking Current per Dimming Channel.

TYPICAL RISER



PANEL SCHEDULE

Record the control circuit wired to the terminal block

Information supplied by building IT Department

| PANEL NAME: | | IP ADDRESS: | | | | | |
|--------------------------|-----------|--|--------|---------------------|---------|--------|------------------|
| MOUNTING LOCATION: | | SUBNET MASK: | | | | | |
| TRANSFORMER FEED: | | DEFAULT GATEWAY: | | | | | |
| PANEL TYPE: NXL-D16s | | PANEL DIMENSIONS: 24,00"H x 20,00"W x 6,00"D | | | | | |
| LEFT SIDE | | | | RIGHT SIDE | | | |
| LOAD DESCRIPTION | SOURCE | ADDRESS | DEVICE | DEVICE | ADDRESS | SOURCE | LOAD DESCRIPTION |
| CRC2180 RELAY CONTROLLER | | | | CRC7000 | 0-1 | | |
| | | | | CRC7000 | 0-2 | | |
| CRC2180 RELAY CONTROLLER | | | | CRC7000 | 0-3 | | |
| | | | | CRC7000 | 0-4 | | |
| | CHANNEL 1 | 4 | -1 | CRC4214 0-10 DIMMER | CRC7000 | 1-1 | |
| | CHANNEL 2 | | -2 | | CRC7000 | 1-2 | |
| | CHANNEL 3 | | -3 | | | | |
| | CHANNEL 4 | | -4 | | | | |

Record the Lighting Load Description

Record the Lighting Load Description
Record the source circuit breaker

STEPS TO INSTALLATION

1. Mount the D Series Panel in the desired location.
2. Wire the CRC7000 Relay to the Source and Lighting Load.
 - Record the Source and Lighting Load Description on the part number specific Panel Schedule.
3. Wire the CRC4214 0-10V Dimming Channel to the Lighting Load.
 - Record the Lighting Load Description on the part number specific Panel Schedule.
4. Connect Line Voltage to the Control Power Terminal Blocks.
 - Record the circuit breaker designation in the appropriate field at the top of the Panel Schedule.
5. Proceed with wiring the NexLight 2-Wire Data Bus; Reference the Table of Contents for specific applications.